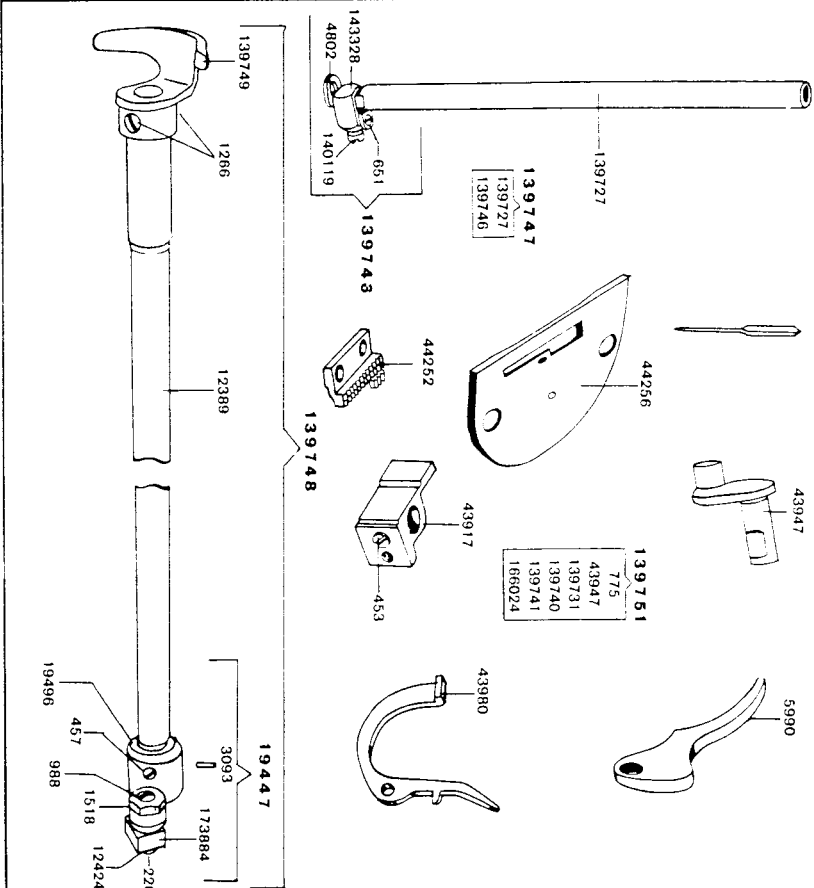
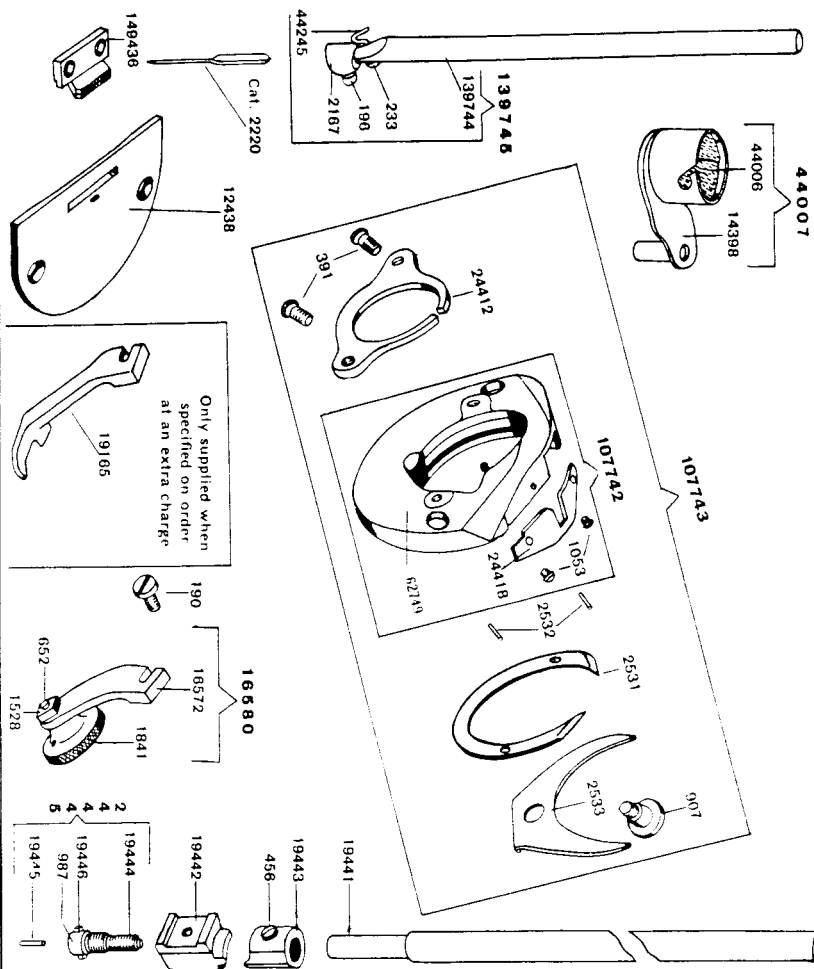


Parts for 331K2/K102 M/cs which differ from 331K1/K101 M/cs

Corresponding part number is given in the original drawing

Call 3866

Parts for 331K3/K103 M/cs which differ from 331K1/K101 M/cs



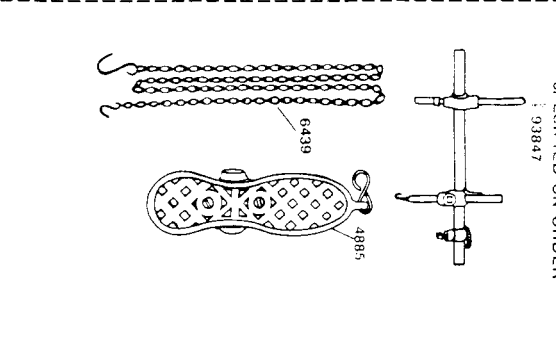
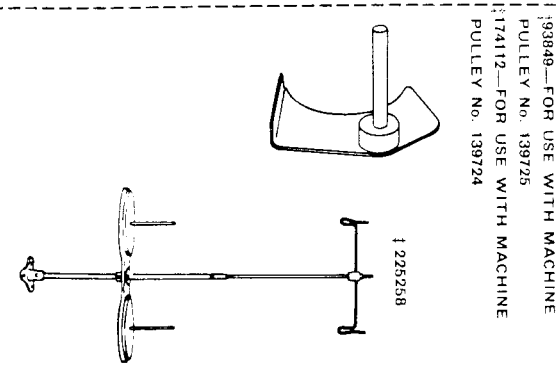
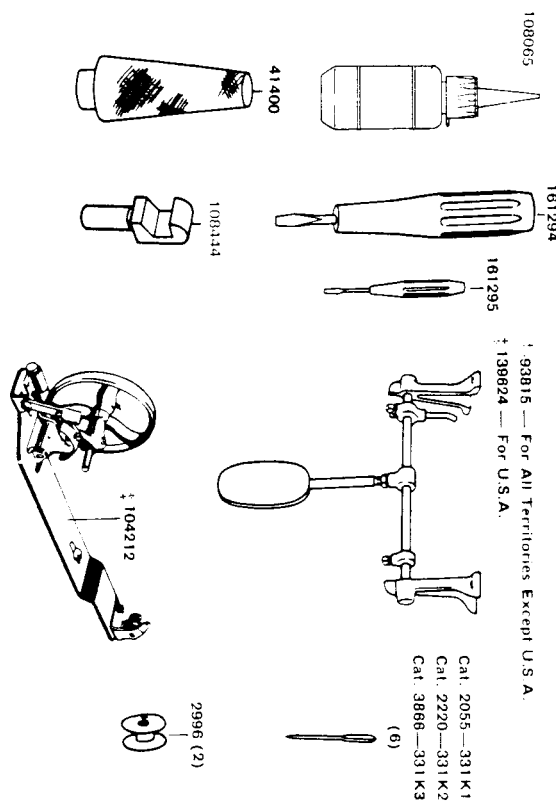
Accessories for 331K1, 331K2 and 331K3 Machines

SUPPLIED WITH MACHINE

AVAILABLE AT NO EXTRA CHARGE IF SPECIFIED ON ORDER

FOOT LIFTER No. 93847 AVAILABLE IN PLACE OF KNEE LIFTER No. 93817 IF SPECIFIED ON ORDER

AVAILABLE AT AN EXTRA CHARGE IF SPECIFIED ON ORDER



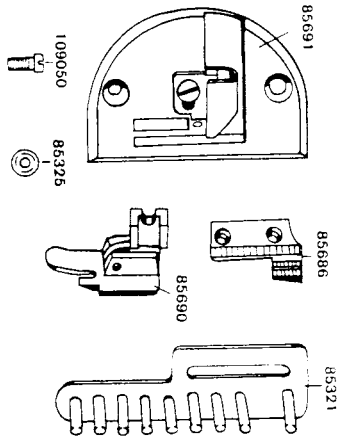
BOBBIN WINDER No. 27544 AVAILABLE IN PLACE OF BOBBIN WINDER No. 104212 IF SPECIFIED ON ORDER

For replacement parts marked † for 331K101/K102/K103 machines add suffix '-451' after part number.

BINDER—FOR GENERAL WORK

85692

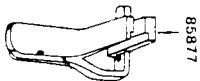
(See Tabulation Below for Gauges Available)



GAUGES AVAILABLE

85692-018	9/32"	85692-040	5/8"
85692-024	3/8"	85692-044	11/16"
85692-028	7/16"	85692-048	3/4"
85692-030	15/32"	85692-052	13/16"
85692-032	1/2"	85692-056	7/8"
85692-036	9/16"	85692-100	1"

CORDER GUIDE
(Adjustable)



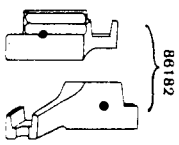
85877

CORDING AND HEMMING FOOT



85881

CORDING FOOT
(Grooved on Right Side)



86182

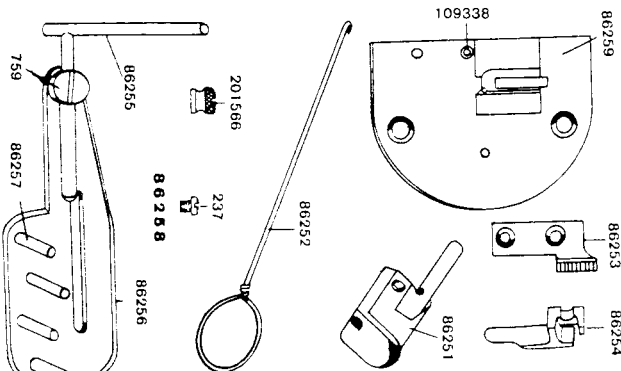
GAUGES AVAILABLE

86182-008	1/8"
86182-012	3/16"

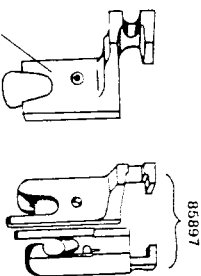
ATTACHMENTS FOR SEPARATE PURCHASE
AVAILABLE FOR 33IK1/K101 MACHINES
CORD COVERING ATTACHMENT (HEMMERS) AND HEMMER BASE

86260

(See Tabulation Below for Gauges Available)

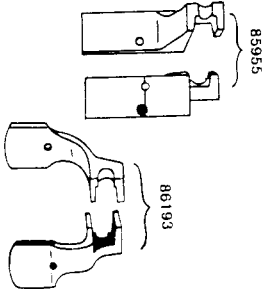


FELLING FEET



GAUGES AVAILABLE
(3/16" Fall)

GATHERING FEET



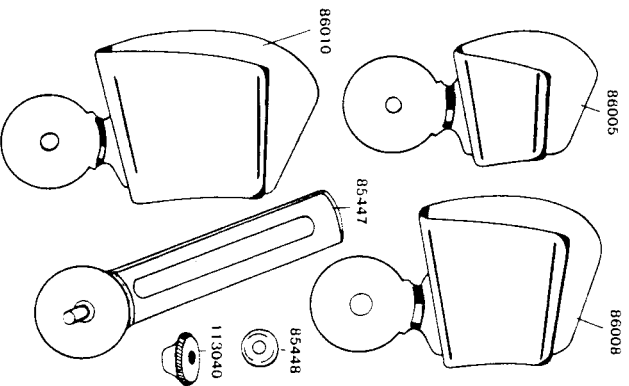
85955

86193

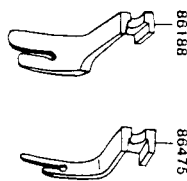
WHEN ORDERING STATE SIZE OF CORD

86005-008	1/8"	86005-040	5/8"
86005-012	3/16"	86005-044	11/16"
86005-014	7/32"	86005-048	3/4"
86005-016	1/4"	86005-056	7/8"
86005-018	9/32"	86008-100	1"
86005-020	5/16"	86008-108	1-1/8"
86005-022	11/32"	86008-112	1-3/16"
86005-024	3/8"	86008-116	1-1/4"
86005-028	7/16"	86010-124	1-3/8"
86005-032	1/2"	86010-126	1-3/32"
86005-036	9/16"	86010-200	2"

GAUGES AVAILABLE

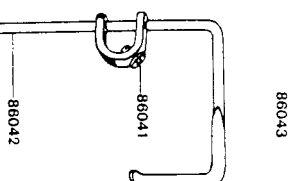


PRESSER FEET



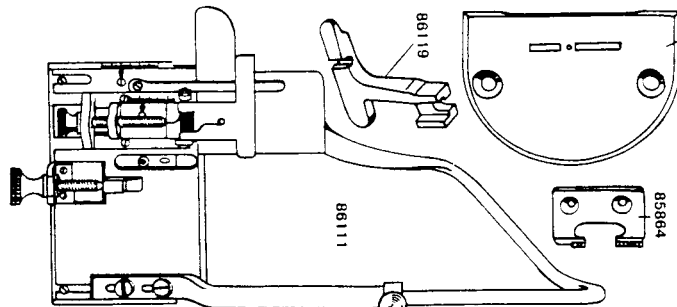
FOR NARROW TUCKING
FOR GENERAL WORK

QUILTER



TUCK FOLDING ATTACHMENT
(ADJUSTABLE)

86120



HEMMER FEET

GAUGES AVAILABLE

86025-004	1/16"	86469-006	3/32"	86644	1/16"	
86025-006	3/32"	86469-008	1/8"	86645-006	3/32"	
86025-008	1/8"	FLAT SOLE TYPE			86645-012	3/16"
86025-010	5/32"	86637	1/16"	86646	1/8"	
86025-012	3/16"	86638	3/32"	86647-006	3/32"	
86025-014	7/32"	86639-004	1/16"	86647-010	3/32"	
86025-016	1/4"	86639-008	1/8"	86647-040	5/8"	
86025-018	9/32"	86540	3/16"	86648	5/8"	
86025-024	3/8"	86542	7/32"	86649	7/32"	
86466-004	1/16"	86543	1/4"	86650	1/4"	
86466-006	3/32"					
86466-008	1/8"					
86466-010	5/32"					
86466-012	3/16"					
86466-014	7/32"					
86466-016	1/4"					
86466-018	9/32"					

Numerical List of Parts for 331K2/K102 Machines
which differ from 331K1/K101 Machines

NUMERICAL LIST OF ACCESSORIES

PART NO.	DESCRIPTION	PART NO.	DESCRIPTION
190(809)	Roller Presser Screw.	Tool 293	Belt Guard Screw Key (only supplied if specified on order and at an extra charge).
196(806)	Needle Clamp Screw.		Shuttle Bobbin.
233(809)	Needle Bar Thread Guard Screw.	2996	Foot Lifter Treadle complete.
386(804)	Roller Screw for 1911 and 1912 (not illustrated).	* 4885	Foot Lifter Chain.
388(804)	Roller Screw for 51801 and 51802 (not illustrated).	* 6439	Bobbin Winder (swinging automatic, right hand) complete (not illustrated).
		‡ **27544	Machine Rest Pin (wood).
456(830)	Roller Arm Bracket Position Collar Set Screw.		Oiler.
652(804)	Roller Screw for 1841 and 1868.	41400	Knee Lifter Rock Shaft complete, for all territories except U.S.A.
987(805)	Roller Arm Bracket Screw Stud.	86720	Foot Lifter Rock Shaft complete.
1528(809)	Roller Screw Nut for 1841, 1868, 1911 and 1912.	‡ 93815	Belt Guard complete, for use with Machine Pulley No.139725 (only supplied if specified on order at no extra charge).
1550(809)	Roller Screw Nut for 51801 and 51802 (not illustrated).	‡ * 93846	Bobbin Winder (universal) complete.
1841	Roller, 7/8" diam. (fine) with 652 (804) and 1528(809) for 16580.	‡ 93849	Machine Hinge Connection
1868	Roller, 7/8" diam. (coarse), with 652(804) and 1528(809) for 16579 (not illustrated).	‡ 104212	Knee Lifter Rock Shaft complete, for U.S.A.
1911	Roller, 1 1/4" diam. (coarse), with 386(804) and 1528(809) for 16581 (not illustrated).	108444	Screw Driver (machine).
1912	Roller, 1 1/4" diam. (fine), with 386(804) and 1528(809) for 16582 (not illustrated).	‡ 139624	Screw Driver (shuttle tension).
2167	Needle Clamp with 196(806).	161294	Belt Guard complete, for use with Machine Pulley No.139724 (only supplied if specified on order at no extra charge).
12438	Throat Plate (large oblong needle hole).	161295	
14398	Oil Cup.	‡ 174112	
16572	Roller Arm for 16579 and 16580.		
16573	Roller Arm for 16581 and 16582 (not illustrated).		* Supplied in place of Knee Lifter if specified on order.
* 16579	Roller Presser, 5/8" coarse roller, complete Nos. 1868 and 16572 (not illustrated).		** Supplied in place of Bobbin Winder No.104212 if specified on order.
16580	Roller Presser, 3/8" fine roller, complete Nos.1841 and 16572 supplied with machine unless otherwise specified on order.		
* 16581	Roller Presser, 1 1/4" coarse roller, complete, Nos. 1911 and 16573 (not illustrated).		
* 16582	Roller Presser, 1 1/4" fine roller, complete, Nos. 1912 and 16573 (not illustrated).		
19165	Presser Foot (only supplied with this machine when specified on order and at an extra charge).		
19441	Presser Bar (hollow).		
19442	Roller Arm Bracket.	85686	Feed Dog.
19443	Roller Arm Bracket Position Collar with 456(830).	85320	Folder.
19444	Roller Arm Bracket Spring.	109050(804)	Folder Screw.
19445	Roller Arm Bracket Spring Pin.	35325	Folder Screw Washer.
19446	Roller Arm Bracket Spring Stud.	35687	Presser Foot Bracket.
19464	Presser Bar, complete, Nos.190(809), 19441 to 19443 and 24445.	85688	Presser Foot Bracket Hinge Pin.
24418	Shuttle Race Cap.	85689	Presser Foot Sole.
24445	Roller Arm Bracket Spring Stud, complete, Nos. 987(805), 19444 and 19446.	85690	Presser Foot (hinged), Complete, Nos.85687 to 85689.
24903	Roller Arm for 24904 and 24905 (not illustrated).	85324	Tape Tension Pin (bent).
* 24904	Roller Presser, 9/16" coarse roller, complete, Nos.24903 and 51801 (not illustrated).	85323	Tape Tension Pin (straight).
* 24905	Roller Presser, 9/16" fine roller, complete, Nos. 24903 and 51802 (not illustrated).	85322	Tape Tension Plate.
44006	Oil Cup Packing (felt).	85321	Tape Tension, Complete, Nos.85322, 85324 and eight 85323.
44007	Oil Cup, complete, Nos. 14398 and 44006.	109050(804)	Tape Tension Screw.
44245	Needle Bar Thread Guard.	85325	Tape Tension Screw Washer.
* 51801	Roller, 9/16" diam. (coarse), with 388(804) and 1550(809) (not illustrated).	85691	Throat Plate.
* 51802	Roller, 9/16" diam. (fine), with 388(804) and 1550(809) (not illustrated).	+ 85692	Binder Complete, Nos.85320, 85321, 85686, 85690, 85691, two each 85325 and 109050(804).
107742	Shuttle Race Body 62749 with 24418 and two 1053(804).		* Refer illustrated side of Chart for Gauges available.
107743	Shuttle Race, complete, nos. 907(804) 2531, 2533, 24412, 107742, two each 391(813) and 2532	85382	
139744	Needle Bar (hollow).	228(804)	Extension Guide.
139745	Needle Bar 139744 with 233(809), 2167 and 44245.	85876	Extension Guide Screw.
149436	Feed Dog, 11 teeth (18 teeth to the inch).	85877	Presser Foot.
			Corder Guide, complete, Nos.228(804), 85382 and 85876.
		85881	Cording and Hemming Foot.
		86182-008	1/2" Cording Foot (grooved on right side).
		86182-012	3/16"

BINDER - FOR GENERAL WORK

CORDER GUIDE
(Adjustable)

CORD COVERING ATTACHMENT

Numerical List of Parts for 331K3/K103 Machines
which differ from 331K1/K101 Machines

651(804)	Needle Bar Thread Guide Screw.		
4802	Needle Bar Thread Guide.		
5990	Presser Bar Lifter.		
43917	Presser Bar Guide Bracket with 453(830).	* 86251	Cord Guide and Strip Folder.
43947	Thread Take-up Crank.	237(806)	Cord Guide and Strip Folder Screw.
43980	Tension Releasing Lever.	86252	Cord Wire.
44252	Feed Dog, for Cloth, 12 teeth (12 teeth to the inch).	* 86253	Feed Dog.
44256	Throat Plate (large needle hole).	86254	Presser Foot.
139746	Needle Bar 139727 with 139747.	86256	Tension Base Plate.
139747	Needle Clamp, complete, Nos.651(804), 4802 and 143328.	86257	Tension Base Plate Pin.
139748	Oscillating Shaft 12389 with 19447 and 139749.	86255	Tension Guide (adjustable).
139749	Shuttle Driver with two 1266(803).	759(802)	Tension Guide Thumb Screw.
139751	Thread Take-up, complete, Nos.775(805), 43947, 139731, 139740, 139741 and 166024.	86258	Tension Complete, Nos.759(802), 86255, 86256 and four 86257.
		86259	Throat Plate with 109338(804).
		109338(804)	Throat Plate Screw Stud.

For replacement parts marked ‡ for 331K101/K102/K103 machines add suffix '-451' after part number

NUMERICAL LIST OF PARTS FOR 331K1/K101 MACHINES

Part No.	Description	Part No.	Description
76(819)	Knee or Foot Lifter Lifting Lever Connecting Rod Joint Hinge Screw	19496	Oscillating Shaft Crank
144(803)	Arm Shaft Screw	20059	Presser Bar Guide Bracket with 453(830)
145(805)	Shuttle Race Screw	20060	Slack Thread Regulator
157(813)	Feed Lifting Rock Shaft Crank Clamping Screw		109784(805)
157(813)	Feed Rock Shaft Crank Clamping Screw	NOTE:-	Part No. 20198 cannot be supplied individually. Orders must specify No. 20197.
178(805)	Knee or Foot Lifter Bell Crank Bracket Screw	24131	Arm Oil Tube with 52045
180(809)	Presser Foot Screw	24412	Shuttle Bobbin Case Position Plate
207(805)	Feed Bar Connecting Stud Clamping Screw	24414	Shuttle Race Cap
208(803)	Needle Bar Screw		24412, 24962 and two 391(813)
219(809)	Arm Side Cap Screw	24810	Shuttle Race Slide complete, nos. 4307, 12431(819) and two 51282 (809)
225(806)	Slack Thread Regulator Adjusting Screw	26603	Feed Jog
226(804)	Oscillating Shaft Crank Slide Block Cap Screw	26606(850)	Thread Plate (small needle hole)
233(805)	Arm Shaft Flanged Bushing (back) Oil Drip Screw	29611	Feed Rock Shaft Crank with 157(813)
307(803)	Feed Lifting Rock Shaft Screw Centre	33575	Tension Releasing Pin
307(803)	Feed Rock Shaft Screw Centre	43942	Tension Releasing Lever
313(803)	Feed Bar Screw Centre	43946	Thread Take-up Spring
335(813)	Thread Take-up Lever Guard Screw	43976	Feed Lifting Rock Shaft Crank Connecting Rod with 43977, 125044 and two 966(805)
375(803)	Feed Connecting Link Hinge Screw	43977	Feed Lifting Rock Shaft Crank Connecting Rod Cap Part No. 43977 cannot be supplied individually. Orders must specify No. 43976
375(803)	Feed Forked Connection Hinge Screw	NOTE:-	
375(803)	Feed Lifting Rock Shaft Crank Connecting Rod Hinge Screw	44013	Oscillating Shaft 12389 with 12444 and 19447
391(813)	Shuttle Bobbin Case Position Plate Screw	44125	Feed Lifting Rock Shaft
435(803)	Thread Take-up Lever Link Hinge Pin Set Screw	44126	Feed Lifting Rock Shaft complete, Nos. 12376 and 44125
443(803)	Arm Shaft Bushing (front) Set Screw	44141	Tension Spring Stud 50327(803) with 1560(803) (for Agents only)
443(803)	Arm Shaft Bushing (intermediate) Set Screw	50027(819)	Stitch Indicator Plate Screw
446(830)	Feed and Feed Lifting Eccentric Set Screw	50083(809)	Feed Connecting Link Hinge Stud Set Screw
448(803)	Arm Shaft Flanged Bushing (back) Lever Pin Set Screw	50327(803)	Tension Spring Stud
448(803)	Knee or Foot Lifter Lifting Lever Pin Set Screw	NOTE:-	Part No. 50327 cannot be supplied individually. Orders must specify No. 44141
448(803)	Oscillating Rock Shaft Hinge Pin Set Screw	51224(818)	Face Plate Thumb Screw
448(803)	Thread Take-up Spring Regulator Pin Set Screw	51224(819)	Arm Side Lower Thumb Screw
458(803)	Presser Bar Guide Bracket Set Screw	51282(809)	Shuttle Race Slide Spring Screw
458(803)	Oscillating Shaft Crank Set Screw	51283(850)	Machine Pulley Set Screw
457(805)	Shuttle Tension Regulating Screw	51354(803)	Face Plate Screw
591(806)	Shuttle Bobbin Case Latch Stop Screw	52316	Presser Bar Lifter
624(803)	Thread Retainer Set Screw	52045	Arm Oil Tube Packing (braided cotton)
665(809)	Needle Bar Thread Guard Screw	52070	Feed Connecting Link Hinge Stud
688(809)	Pressure Regulating Thumb Screw	57137	Thread Take-up Lever Thread Fastener Bushing
688(803)	Presser Bar Lifter Screw	52145	Feed Connecting Link
690(805)	Thread Take-up Crank Wedge Screw	52148	Arm Oil Tube Packing (nickel)
691(850)	Thread Plate Screw	52154	Arm Spool Pin and Thread Inlet
766(804)	Knee or Foot Lifter Lifting Lever Link Hinge Screw	52155	Thread Retainer
775(805)	Thread Take-up Lever Cap Screw	56813(801)	Feed Bar Screw Centre 313(803) with 1519(809)
794(805)	Needle Bar Connecting Link Adjusting Screw	56814	Feed Lifting Rock Shaft Screw Centre 307(803)
802(819)	Knee or Foot Lifter Lifting Lever Hinge Screw	56814	Feed Lifting Rock Shaft Screw Centre 307(803)
896(805)	Crank Connecting Rod Cap Screw	56814	Feed Lifting Rock Shaft Screw Centre 307(803)
907(804)	Shuttle Race Back Spring Screw	56814	Feed Lifting Rock Shaft Screw Centre 307(803)
908(803)	Crank Connecting Rod Hinge Screw	56814	Feed Lifting Rock Shaft Screw Centre 307(803)
966(805)	Feed Lifting Rock Shaft Crank Connecting Rod Cap Screw	56814	Feed Lifting Rock Shaft Screw Centre 307(803)
988(803)	Oscillating Shaft Crank Slide Block Screw Stud	56814	Feed Lifting Rock Shaft Screw Centre 307(803)
1053(804)	Shuttle Race Cap Screw	56814	Feed Lifting Rock Shaft Screw Centre 307(803)
1065(803)	Needle Bar Crank Position Screw	56814	Feed Lifting Rock Shaft Screw Centre 307(803)
1133(803)	Needle Bar Bushing (lower) Set Screw	56814	Feed Lifting Rock Shaft Screw Centre 307(803)
1133(803)	Needle Bar Bushing (upper) Set Screw	56814	Feed Lifting Rock Shaft Screw Centre 307(803)
1513(809)	Feed Lifting Rock Shaft Screw Centre Nut	60748	Shuttle Race Body
1513(809)	Feed Rock Shaft Screw Centre Nut	90378	Shuttle Driver with two 109520(803) (for Agents only)
1518(805)	Feed Connecting Link Hinge Screw Nut	99617	Arm Oil Tube with 52045
1518(809)	Feed Forked Connection Hinge Screw Nut	107178	Machine Pulley (disc) 'V' belt groove (diam. of belt groove 3.25") with two 51283(809)
1518(809)	Feed Lifting Rock Shaft Crank Connecting Rod Hinge Screw Nut	107194	Crank Connecting Rod Oil Pad (felt)
1518(809)	Oscillating Shaft Crank Slide Block Screw Stud Nut	107195	Crank Connecting Rod with 107194 and two 866(803)
1519(819)	Feed Bar Screw Centre Nut	107740	Shuttle Race Face Body 50748 with 12444, two gear 1095(804) and 2932
1521(805)	Knee or Foot Lifter Lifting Lever Connecting Rod Lock Nut	107741	Shuttle Race complete nos. 207(803), 2631, 2633, 24412, 107740 and two 391(813)
1560(803)	Tension Regulating Thumb Nut	109520(803)	Shuttle Driver Set Screw
NOTE:-	Part No. 1560 cannot be supplied individually. Orders must specify No. 44141.	125044	Feed Lifting Rock Shaft Crank Connecting Rod Oil Pad (felt)
1619(805)	Crank Connecting Rod Hinge Screw Nut	132590	Arm Oil Tube Packing (braided cotton)
1810	Feed Lifting Rock Shaft Crank Roller and Stud	13945	Face Plate Thread Guard (upper) complete, (for Agents only)
1904	Needle Bar Connecting Stud Roller (Roller only)	139702	Arm Oil Tube
2102	Tension Disc	139703	Arm Oil Tube 139702 with 52184
2511	Shuttle Race Back	139704	Arm Oil Tube
2512	Shuttle Race Back Position Pin	*	Arm Shaft Bushing (front)
2513	Shuttle Race Back Spring	*	Arm Shaft Bushing (intermediate)
2973	Shuttle Bobbin Case Latch Lever	*	Arm Shaft Flanged Bushing (back)
2974	Shuttle Bobbin Case Latch Lever Fulcrum Pin	*	Arm Shaft Flanged Bushing (back) with 233(805), 139710 and 139711
2975	Shuttle Bobbin Case Latch Spring	139709	Arm Shaft Flanged Bushing (back) Oil Drip
2994	Shuttle Bobbin	139710	Arm Shaft Flanged Bushing (back) Oil Pad
3094	Oscillating Shaft Crank Pin	139711	Arm Side Cover
3094	Thread Take-up Crank Wedge	139712	Face Plate
4307	Shuttle Race Slide Spring	139713	Face Plate complete, Nos. 139715, 139716 and 139756
4784	Oscillating Rock Shaft Oil Pad	139714	Feed and Feed Lifting Eccentric with 446(830)
5356	Knee or Foot Lifter Bell Crank	139715	Feed Forked Connection
5398	Knee or Foot Lifter Bell Crank 359h with 2599, 3601 and 3735	139716	Feed Regulator with 30461(803)
5599	Knee or Foot Lifter Bell Crank Bracket	139717	Feed Regulator Hinge Screw Friction Washer
5611	Knee or Foot Lifter Bell Crank Hinge Pin	139718	Machine Pulley (disc, heavy rim) 'V' belt groove (diam. of belt groove 2.9") with two 51283(809)
5735	Knee or Foot Lifter Bell Crank Spring	139719	Needle Bar (lower)
7336	Thread Take-up Spring Regulator	139720	Needle Bar Bushing (upper)
8879	Arm Spool Pin Washer (felt)	139721	Needle Bar Bushing (lower)
11147	Presser Bar Spring (light)	139722	Needle Bar Crank with 1065(830)
11170	Presser Bar Spring Washer	139723	Oscillating Rock Shaft
12237	Knee or Foot Lifter Lifting Lever with 448(830)	139724	Oscillating Rock Shaft complete, Nos. 4784, 12389 and 12975
12240	Knee or Foot Lifter Lifting Lever Pin	139725	Stitch Indicator Plate
12241	Knee or Foot Lifter Lifting Lever Link	139726	Tension, complete, Nos. 7326, 10574, 13946, 14101, 14719, 14720, and two 2102
12242	Presser Bar Lifting and Releasing Lever Bracket	139727	Thread Take-up Lever with 139742
12243	Tension Releasing Lever Spring	139728	Thread Take-up Lever Link
12244	Feed Bar	139729	Needle Bar Connecting Stud with 207(803)
12276	Feed Lifting Rock Shaft Crank with 157(813) and 1813	139730	Thread Take-up Lever Guard
12279	Feed Rock Shaft	139731	Face Plate Thread Guard (lower) complete (for Agents only)
12388	Needle Bar Connecting Link with 794(805)	139732	Needle Clamp Forew
12389	Oscillating Rock Shaft Hinge Pin	140117(819)	Feed Regulator Thumb Screw
12390	Oscillating Shaft	143307	Needle Bar Thread Guard
12391	Presser Bar (lower)	143328	Needle Clamp with 140119(830)
12392	Shuttle Body	147151	Tension Releasing Disc
12393	Tension Releasing Lever Hinge Pin	147152	Tension Spring
12404	Thread Take-up Crank	146719	Presser Foot (spring pinned), complete
12415	Knee or Foot Lifter Lifting Lever Connecting Rod	146724	Stitch Indicator
12415(811)	Knee or Foot Lifter Lifting Lever Connecting Rod Joint	146734	Thread Take-up Lever Link Hinge Pin
12421	Oscillating Shaft Crank Slide Block Cap Screw Washer	146734	Feed and Feed Lifting Eccentric with 446(830)
12427	Arm Shaft	146734	Feed Regulator Hinge Screw
12431(811)	Shuttle Race Slide	146734	Oscillating Shaft Crank Slide Block
12434	Arm Oil Tube with 132590	146734	
12435	Arm Side Cap	146734	
12436	Arm Side Cap	146734	
12437	Shuttle Bobbin Case Latch	146734	
12438	Shuttle Bobbin Case Hinge Nos. 2973, 2974 and 15140	146734	
12439	Shuttle Tension Spring	146734	
12440	Shuttle, 1-11/16" Dia., complete, Nos. 2996, 12393 and 62740	146734	
12441		*	Not supplied to Agencies.

From the library of: Diamond Needle Corp

For replacement parts marked * for 331K101/K102/K103 machines add suffix '-451' after part number

